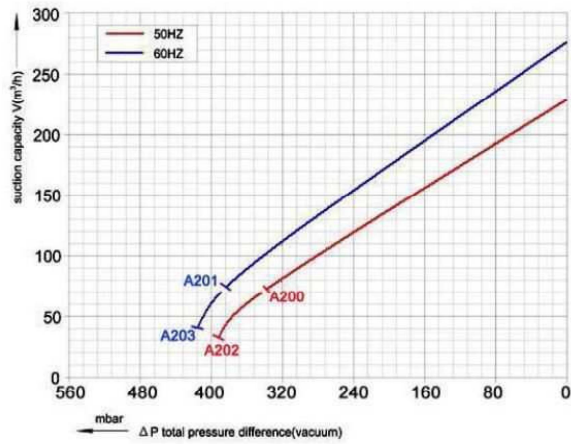


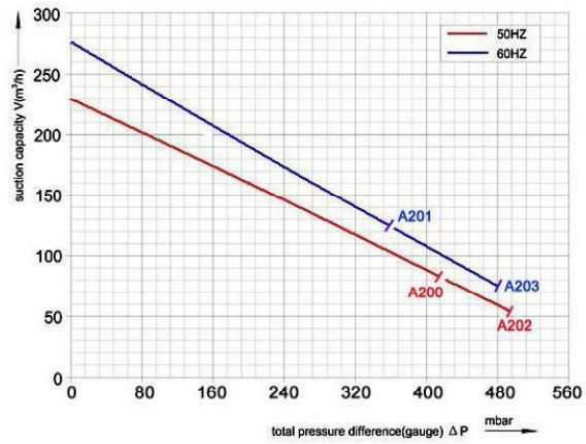


RB50-1-XXX SERIES

Performance curve for vacuum pump

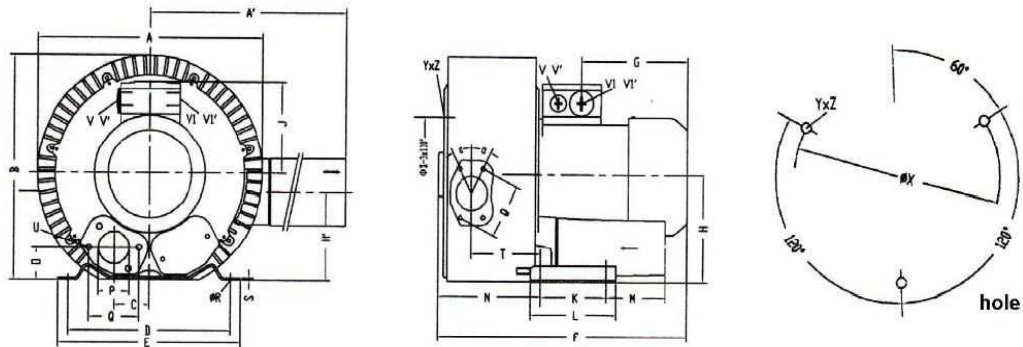


Performance curve for Compressor



curve No	MODEL * In stock	Single double stage	Freq Hz	Output power Kw	voltage V	Rated current A	Max airflow m3/h	Max static suction mbar	Max static pressure mbar	Noise dB(A)	Dimension L X W X H mm	weight Kg
A200	RB50-1-7B0	double	50	3	200-240△ 345-415Y	12.5△/7.2Y	230	-340	410	72	465 X 372 X 371	39
A201			60	3.45	220-275△ 380-480Y	12.5△/7.3Y	275	-380	360	74		
A202	RB50-1-8F0	double	50	4	380-415△	10△	230	-390	490	72	499 X 372 X 371	43
A203			60	4.6	380-415△	9.9△	275	-410	480	74		

Installation for dimension



MODEL	phase	Curve	A	A'	B	C	D	E	F	G	H	H'	J	K	L	M	N	O	P	Q
RB50-1-7B0	3	A200/201	372	411	371	60	260	295	465	190	175	144	135	115	155	98	171	48	55	83
RB50-1-8F0	3	A202/203							499	224										
MODEL	phase	Curve	ØR	S	T	U	V	V'	V1	V1'	a	ØX	Y x Z	X -holes						
RB50-1-7B0	3	A200/201	14	4	116	M8x 17			4 x M 32 x 1.5			200	M8 x 20	51°/171°/291°						
RB50-1-8F0	3	A202/203																		

